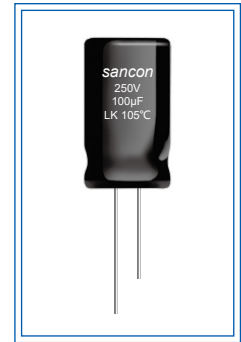


# LK 超长寿命 / 输入滤波用 (CD26F)

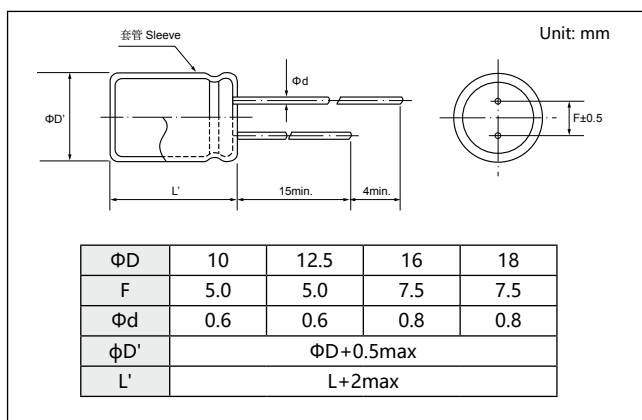
- 105°C 5000-10000 小时。5000-10000 hours at 105°C.
- 长寿命, 耐大纹波电流。Long life, high Ripple Current.
- 电子整流器, 输入滤波用。Electronic Ballast, for input filtering.
- 符合 RoHS。RoHS Compliant.



## 主要技术性能 Specifications

项目 Item	特性 Performance Characteristics	
工作温度范围 Category Temperature Range	-25~+105°C	
额定电压范围 Rated Voltage Range	160~450V <sub>dc</sub>	
标称电容量允许偏差 Capacitance Tolerance	±20% (+20°C, 120Hz)	
漏电流 Leakage Current	I ≤ 0.04CV+100 (after 1 minutes, at 20°C)	
损耗角正切值 (tgδ) Dissipation Factor (+20°C, 120Hz)	Rated Voltage(V <sub>dc</sub> )	160 200 250 350 400 450
	tgδ(Max.)	0.10 0.12
温度特性 (阻抗比 Max.) Temperature characteristics (Max. Impedance ratio) (120Hz)	Rated Voltage(V <sub>dc</sub> )	160 200 250 350 400 450
	Z(-25°C)/Z(+20°C)	3 6
	Case Size	Life Time(hrs)
	ΦD10×12.5	5000
	ΦD10×16	8000
	ΦD10×20	
	ΦD ≥ 12.5	10000
耐久性 Load Life	+105°C施加带额定纹波电流的额定电压对应规定时间, 恢复 24 小时后: After applying rated voltage with specified ripple current for specified time at +105°C and then resumed 24 hours: 电容量变化率 Capacitance change : ≤初始值的 ±30% ±30% of the initial value 损耗角正切值 Dissipation factor : ≤初始规格值的 300% 300% of the initial specified value 漏 电 流 Leakage current : ≤初始规格值 The initial specified value	
高温贮存 Shelf Life	+105°C, 1000 小时贮存后, 加额定工作电压处理 30 分钟, 恢复 24 小时后: After storage for 1000 hours at +105°C, U <sub>R</sub> to be applied for 30 minutes and then resumed 24 hours: 电容量变化率 Capacitance change : ≤初始值的 ±20% ±20% of the initial value 损耗角正切值 Dissipation factor : ≤初始规格值的 200% 200% of the initial specified value 漏 电 流 Leakage current : ≤初始规格值 The initial specified value	

## 外形图及尺寸 Diagram of Dimensions



## 纹波电流修正系数 Multiplier for Ripple Current

频率系数 Frequency coefficient				
Frequency(Hz)	120	1K	10k	100k
Cap(µF)				
1~4.7	0.2	0.4	0.8	1.0
6.8~15	0.3	0.6	0.9	1.0
22~82	0.4	0.7	0.9	1.0
100~220	0.45	0.75	0.9	1.0
温度系数 Temperature coefficient				
Temperature (°C)	+65	+85	+105	
Coefficient	2.1	1.7	1.0	

标准品一览表 Standard Ratings

U <sub>R</sub> (Surge Voltage) Code(V)	Capacitance (μF)	Size ΦD×L (mm)	Rated ripple current 105°C, 120Hz (mA <sub>rms</sub> )	Max ESR 20°C, 120Hz (Ω)	Typ ESR 20°C, 120Hz (Ω)
160 (200) 2C	10	10×16	320	13.3	7
	22	10×20	500	6	3.5
	33	10×20	650	4	2.5
	47	10×20	750	2.8	1.7
	68	12.5×20	1180	2	1.1
		16×20	1180	2	1.1
	100	12.5×25	1420	1.3	0.7
		16×20	1420	1.3	0.7
	150	16×25	1890	0.9	0.48
	220	18×25	2370	0.6	0.32
200 (250) 2D	4.7	10×12.5	200	28.2	15
	6.8	10×16	220	19.5	10.5
	10	10×16	320	13.3	7
	22	10×20	500	6	3.2
	33	10×20	650	4	2.2
	47	12.5×20	980	2.8	1.5
	68	12.5×25	1300	2	1.1
		16×20	1300	2	1.1
	100	16×20	1420	1.3	0.7
	150	16×25	1890	0.9	0.48
250 (300) 2E	4.7	10×12.5	200	28.2	15
	6.8	10×16	250	19.5	10.5
	10	10×16	320	13.3	7
	22	10×20	500	6	3.2
	33	12.5×20	800	4	2.2
	47	12.5×25	980	2.8	1.5
	68	16×20	1300	2	1.1
	100	16×25	1530	1.3	0.7
	150	18×25	1940	0.9	0.48
	350 (400) 2V	1.5	10×12.5	100	106
2.2		10×12.5	140	72.4	41
3.3		10×12.5	180	48.3	28
4.7		10×16	220	33.9	19
5.6		10×16	250	28.4	16
6.8		10×20	280	23.4	13
10		10×20	350	15.9	9
22		12.5×20	650	7.2	4.1
33		16×20	900	4.8	2.7
47		16×20	1080	3.4	1.9
68		18×25	1470	2.3	1.3

U <sub>R</sub> (Surge Voltage) Code(V)	Capacitance (μF)	Size ΦD×L (mm)	Rated ripple current 105°C, 120Hz (mA <sub>rms</sub> )	Max ESR 20°C, 120Hz (Ω)	Typ ESR 20°C, 120Hz (Ω)
400 (450) 2G	1	10×12.5	70	160	60
	1.5	10×12.5	100	107	40
	2.2	10×12.5	140	72.4	27
	3.3	10×16	180	48.3	19
	4.7	10×16	220	33.9	13.5
	5.6	10×20	250	28.4	11.5
	6.8	10×20	280	23.4	9.5
	10	10×20	350	15.9	6.4
	15	12.5×20	550	10.6	4.3
	22	12.5×25	760	7.2	2.9
		16×20	760	7.2	2.9
	33	16×20	900	4.8	1.9
	47	16×25	1180	3.4	1.4
	68	18×25	1470	2.3	0.9
450 (500) 2W	2.2	10×16	150	72.4	29
	3.3	10×16	180	48.3	19
	4.7	10×20	220	33.9	13.5
	5.6	10×20	250	28.4	11.5
	6.8	10×20	280	23.4	9.5
	10	12.5×20	450	15.9	6.5
	15	12.5×25	600	10.6	4.3
	22	16×20	730	7.2	2.9
	33	16×25	980	4.8	1.9
	47	18×25	1200	3.4	1.4

可根据客户要求定制产品 Customer products are available on request.