

**RH** 高频低阻标准品  
(CD286)

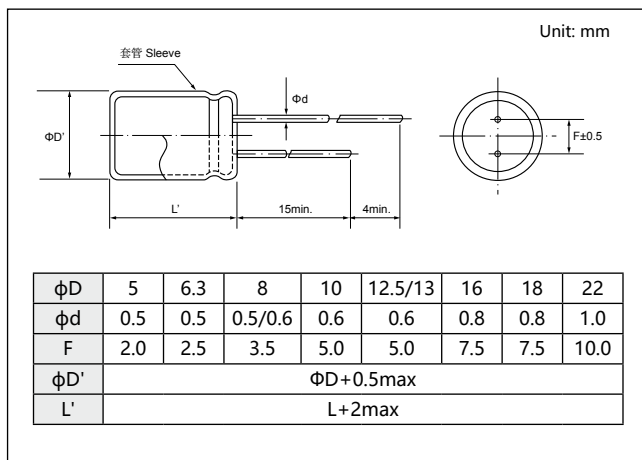
- 保证寿命: +105°C 2000 小时 Load life: +105°C 2000 hours .
- 高频, 低阻抗 High frequency, low impedance.
- 符合 RoHS。RoHS Compliant.



**主要技术性能 Specifications**

项目 Item	特性 Performance Characteristics																																																			
工作温度范围 Category Temperature Range	-40~+105°C	-25~+105°C																																																		
额定电压范围 Rated Voltage Range	6.3~250V <sub>dc</sub>	315~500V <sub>dc</sub>																																																		
标称容量范围 Nominal capacitance range	0.1~15000µF																																																			
标称容量允许偏差 Capacitance Tolerance	±20% (+20°C, 120Hz)																																																			
漏电流 Leakage Current	6.3~100V	160~500V																																																		
	After 2 minutes at 20°C application of rated voltage current is not more than 0.01CV or 3, whichever is greater.																																																			
损耗角正切值 (tgδ) Dissipation Factor (+20°C, 120Hz)	After 1 minute at 20°C application of rated voltage, leakage current is not more than: CV ≤ 1000:0.1CV+40 ; CV > 1000:0.04CV+100																																																			
	<table border="1"> <thead> <tr> <th>Rated Voltage(V<sub>dc</sub>)</th> <th>6.3</th> <th>10</th> <th>16</th> <th>25</th> <th>35</th> <th>50</th> <th>63</th> <th>100</th> <th>160</th> <th>200</th> <th>250</th> <th>315</th> <th>350</th> <th>400</th> <th>420</th> <th>450</th> <th>500</th> </tr> </thead> <tbody> <tr> <td>tgδ(Max.)</td> <td>0.22</td> <td>0.19</td> <td>0.16</td> <td>0.14</td> <td>0.12</td> <td>0.10</td> <td>0.09</td> <td>0.08</td> <td colspan="2">0.15</td> <td colspan="7">0.20</td> </tr> </tbody> </table> <p>但是, 超过 1000µF 的每增加 1000µF, 则 tgδ 设定增加 0.02 When nominal capacitance exceeds 1000µF, add 0.02 to the value above for each 1000µF increase.</p>		Rated Voltage(V <sub>dc</sub> )	6.3	10	16	25	35	50	63	100	160	200	250	315	350	400	420	450	500	tgδ(Max.)	0.22	0.19	0.16	0.14	0.12	0.10	0.09	0.08	0.15		0.20																				
Rated Voltage(V <sub>dc</sub> )	6.3	10	16	25	35	50	63	100	160	200	250	315	350	400	420	450	500																																			
tgδ(Max.)	0.22	0.19	0.16	0.14	0.12	0.10	0.09	0.08	0.15		0.20																																									
温度特性 (阻抗比 Max.) Temperature characteristics (Max. Impedance ratio) (120Hz)	<table border="1"> <thead> <tr> <th>Rated Voltage(V<sub>dc</sub>)</th> <th>6.3</th> <th>10</th> <th>16</th> <th>25</th> <th>35</th> <th>50</th> <th>63</th> <th>100</th> <th>160</th> <th>200</th> <th>250</th> <th>315</th> <th>350</th> <th>400</th> <th>420</th> <th>450</th> <th>500</th> </tr> </thead> <tbody> <tr> <td>Z(-25°C)/Z(+20°C)</td> <td>4</td> <td>3</td> <td colspan="3">2</td> <td colspan="3">3</td> <td colspan="3">8</td> <td colspan="3">-</td> <td>6</td> </tr> <tr> <td>Z(-40°C)/Z(+20°C)</td> <td>8</td> <td>6</td> <td>4</td> <td colspan="3">3</td> <td colspan="3">8</td> <td colspan="3">-</td> <td colspan="3"></td> </tr> </tbody> </table>		Rated Voltage(V <sub>dc</sub> )	6.3	10	16	25	35	50	63	100	160	200	250	315	350	400	420	450	500	Z(-25°C)/Z(+20°C)	4	3	2			3			8			-			6	Z(-40°C)/Z(+20°C)	8	6	4	3			8			-					
	Rated Voltage(V <sub>dc</sub> )	6.3	10	16	25	35	50	63	100	160	200	250	315	350	400	420	450	500																																		
	Z(-25°C)/Z(+20°C)	4	3	2			3			8			-			6																																				
Z(-40°C)/Z(+20°C)	8	6	4	3			8			-																																										
<p>+105°C施加带额定纹波电流的额定电压 2000 小时恢复 24 小时后: After applying rated voltage with specified ripple current for 2000 hours at +105°C and then resumed 24 hours: 容量变化率 Capacitance change : ≤初始值的 ±20% ±20% of the initial value 损耗角正切值 Dissipation factor : ≤初始规格值的 200% 200% of the initial specified value 漏 电 流 Leakage current : ≤初始规格值 The initial specified value</p>																																																				
耐久性 Load Life	<p>+105°C, 1000 小时贮存后, 恢复 24 小时后: After storage for 1000 hours at +105°C, and then resumed 24 hours 容量变化率 Capacitance change : ≤初始值的 ±20% ±20% of the initial value 损耗角正切值 Dissipation factor : ≤初始规格值的 200% 200% of the initial specified value 漏 电 流 Leakage current : ≤初始规格值的 200% 200% of the initial specified value</p>																																																			
高温贮存 Shelf Life	<p>+105°C, 1000 小时贮存后, 恢复 24 小时后: After storage for 1000 hours at +105°C, and then resumed 24 hours 容量变化率 Capacitance change : ≤初始值的 ±20% ±20% of the initial value 损耗角正切值 Dissipation factor : ≤初始规格值的 200% 200% of the initial specified value 漏 电 流 Leakage current : ≤初始规格值的 200% 200% of the initial specified value</p>																																																			

**外形图及尺寸 Diagram of Dimensions**



**纹波电流修正系数 Multiplier for Ripple Current**

频率系数 Frequency coefficient

Rated Voltage(V)	Frequency (Hz)						
	Cap. (µF)	50/60	120	1K	10K	50K	100K
6.3~100	0.1~4.7	0.32	0.40	0.70	0.80	0.92	1.00
	10~47	0.40	0.50	0.80	0.90	0.96	1.00
	100~220	0.56	0.70	0.90	0.90	0.96	1.00
	330~1000	0.64	0.80	0.90	1.00	1.00	1.00
	2200~15000	0.72	0.90	1.0	1.00	1.00	1.00
160~500	0.47~10	0.80	1.0	1.75	2.00	2.40	2.50
	22~56	0.80	1.0	1.6	1.80	1.90	2.00
	68~220	0.80	1.0	1.3	1.40	1.60	1.65

温度系数 Temperature coefficient

Rated Voltage(V)	Temperature(°C)		
	+70	+85	+105
6.3~100	2.0	1.7	1.0
160~500	1.8	1.4	1.0

标准品一览表 Standard Ratings

Low Impedance

U <sub>R</sub> (Surge Voltage) Code (V)	Rated Capacitance (μF)	Size ΦD×L (mm)	Max Imp 20°C, 100kHz (Ω)	Rated ripple current 105°C, 100kHz (mA <sub>RMS</sub> )	U <sub>R</sub> (Surge Voltage) Code (V)	Rated Capacitance (μF)	Size ΦD×L (mm)	Max Imp 20°C, 100kHz (Ω)	Rated ripple current 105°C, 100kHz (mA <sub>RMS</sub> )
6.3 (7.2) 0J	33	5×11.5	2.5	105	35 (44) 1V	4.7	5×11.5	2.5	92
	47	5×11.5	1.5	120		10	5×11.5	1.8	105
	100	5×11.5	1.2	130		22	5×11.5	1.5	120
	220	6.3×11.5	0.87	180		33	5×11.5	1.5	130
	330	6.3×11.5	0.58	220		47	6.3×11.5	0.58	220
	470	8×11.5	0.39	315		100	8×11.5	0.39	315
	1000	10×12.5	0.23	500		220	10×12.5	0.23	500
	2200	10×20	0.095	765		330	10×16	0.18	615
	3300	12.5×20	0.09	1050		470	10×20	0.12	825
	4700	16×25	0.061	1670		1000	12.5×25	0.068	1300
	6800	16×25	0.056	1740		2200	16×31.5	0.045	2110
	10000	16×31.5	0.045	2110		3300	18×35.5	0.036	2580
	10 (13) 1A	15000	18×35.5	0.036		2580	50 (63) 1H	0.1	5×11.5
22		5×11.5	2.5	92	0.22	5×11.5		13	15
33		5×11.5	1.9	105	0.33	5×11.5		10	18
47		5×11.5	1.5	120	0.47	5×11.5		7	23
100		5×11.5	1.2	130	1	5×11.5		4.9	35
220		6.3×11.5	0.58	220	2.2	5×11.5		4.2	53
330		8×11.5	0.47	265	3.3	5×11.5		3.9	65
470		8×11.5	0.39	315	4.7	5×11.5		3.6	82
1000		10×16	0.18	615	10	5×11.5		2.7	100
2200		12.5×20	0.09	1050	22	5×11.5		1.9	125
3300		12.5×25	0.068	1300	33	6.3×11.5		1.1	195
4700		16×25	0.056	1740	47	6.3×11.5		0.9	245
6800		16×31.5	0.045	2110	100	8×11.5		0.5	385
10000	18×35.5	0.036	2580	220	10×16	0.27	505		
16 (20) 1C	330	10×20	0.18	615	63 (79) 1J	330	10×20	0.18	675
	4700	16×25	0.056	1740		470	12.5×20	0.12	895
	6800	16×31.5	0.045	2110		1000	16×25	0.076	1495
	10000	18×35.5	0.036	2580		2200	18×35.5	0.05	2190
	10	5×11.5	2.5	92		4.7	5×11.5	5.8	74
	22	5×11.5	1.9	105		10	5×11.5	3.6	95
	33	5×11.5	1.5	120		22	6.3×11.5	2.1	130
	47	5×11.5	1.2	130		33	6.3×11.5	1.7	160
	100	6.3×11.5	0.58	220		47	8×11.5	1.2	305
	220	8×11.5	0.47	290		100	10×12.5	0.65	395
	330	8×11.5	0.39	315		220	10×20	0.32	505
	470	10×12.5	0.23	500		330	12.5×20	0.22	660
	1000	10×20	0.12	825		470	12.5×25	0.16	850
2200	12.5×25	0.068	1300	1000	16×31.5	0.098	1430		
25 (32) 1E	4.7	5×11.5	3	85	100 (125) 2A	0.47	5×11.5	13	30
	10	5×11.5	2.5	92		1	5×11.5	11	45
	22	5×11.5	1.9	105		2.2	5×11.5	9.2	60
	33	5×11.5	1.5	120		3.3	5×11.5	7.2	67
	47	5×11.5	1.2	130		4.7	5×11.5	6.3	75
	100	6.3×11.5	0.58	220		10	6.3×11.5	3.3	110
	220	8×11.5	0.39	315		22	8×11.5	1.4	165
	330	10×12.5	0.23	500		33	10×12.5	0.94	305
	470	10×16	0.18	615		47	10×16	0.68	320
	1000	12.5×20	0.09	1050		100	12.5×20	0.28	585
	2200	16×25	0.056	1740		220	16×25	0.16	1120
	3300	16×31.5	0.045	2110		330	16×25	0.13	1290
	4700	18×35.5	0.036	2580		470	16×31.5	0.11	1350

标准品一览表 Standard Ratings

U <sub>R</sub> (Surge Voltage) Code (V)	Rated Capacitance (μF)	Size ΦD×L (mm)	Max Imp 20°C, 100kHz (Ω)	Rated ripple current 105°C, 100kHz (mA <sub>rms</sub> )	U <sub>R</sub> (Surge Voltage) Code (V)	Rated Capacitance (μF)	Size ΦD×L (mm)	Max Imp 20°C, 100kHz (Ω)	Rated ripple current 105°C, 100kHz (mA <sub>rms</sub> )
160 (200) 2C	0.47	6.3×11.5	—	12	400 (450) 2G	1	8×11.5	—	18
	1	6.3×11.5	—	18		2.2	8×11.5	—	25
	2.2	6.3×11.5	—	26			10×12.5	—	30
	3.3	8×11.5	—	37		3.3	10×12.5	—	35
	4.7	8×11.5	—	44			10×16	—	40
	10	10×12.5	—	75		4.7	10×12.5	—	47
	22	10×16	—	135			10×16	—	52
	33	10×20	—	175		10	10×16	—	80
	47	12.5×20	—	230			10×20	—	95
	100	16×25.5	—	330			12.5×20	—	120
220	16×35.5	—	500	22		12.5×25	—	150	
200 (250) 2D	0.47	6.3×11.5	—	12		33	12.5×25	—	180
	1	6.3×11.5	—	18			16×20	—	180
	2.2	6.3×11.5	—	26			16×25.5	—	215
	3.3	8×11.5	—	37		47	16×25.5	—	360
	4.7	10×12.5	—	50		68	18×25.5	—	470
	10	10×16	—	80		82	18×31.5	—	575
	22	10×20	—	135		100	18×36	—	675
	33	12.5×20	—	190		120	18×40	—	735
	47	12.5×25	—	230		150	20×41	—	825
	100	16×25.5	—	360	420 (470) 2X	1	8×11.5	—	16
220	18×31.5	—	525	10×12.5			—	19	
250 (300) 2E	0.47	6.3×11.5	—	12		2.2	8×11.5	—	24
	1	6.3×11.5	—	18			10×12.5	—	29
	2.2	8×11.5	—	30		3.3	10×12.5	—	34
	3.3	8×11.5	—	43			10×16	—	38
	4.7	10×12.5	—	50		4.7	10×16	—	46
	10	10×16	—	90			10×20	—	52
	22	12.5×20	—	155		10	10×20	—	100
	33	12.5×25	—	190			12.5×20	—	116
	47	16×25.5	—	225	22	12.5×25	—	162	
	100	16×31.5	—	340	33	16×20	—	204	
150	18×25.5	—	405	16×25.5		—	228		
220	18×36	—	570	47	16×31.5	—	380		
315 (350) 2F	0.47	6.3×11.5	—	11	56	16×31.5	—	420	
	1	8×11.5	—	18		18×25.5	—	420	
	2.2	10×12.5	—	30	68	18×31.5	—	542	
	3.3	10×12.5	—	36		16×36	—	542	
	4.7	10×16	—	47	82	18×31.5	—	608	
	10	10×20	—	95		16×40	—	608	
	22	12.5×20	—	130	100	18×36	—	713	
	33	12.5×25	—	180		16×45	—	713	
	47	16×25.5	—	330	120	18×40	—	779	
	100	18×31.5	—	620		16×50	—	779	
350 (400) 2V	0.47	6.3×11.5	—	11	150	20×41	—	874	
	1	8×11.5	—	18		16×60	—	874	
	2.2	10×12.5	—	30					
	3.3	10×12.5	—	36					
	4.7	10×16	—	47					
	10	10×20	—	95					
	22	12.5×20	—	130					
	33	12.5×25	—	180					
	47	16×25.5	—	330					
	100	18×31.5	—	620					

Low Impedance

标准品一览表 Standard Ratings

Low Impedance

U <sub>R</sub> (Surge Voltage) Code (V)	Rated Capacitance (μF)	Size ΦD×L (mm)	Max Imp 20°C, 100kHz (Ω)	Rated ripple current 105°C, 100kHz (mA <sub>RMS</sub> )
450 (500) 2W	1	8×11.5	—	16
		10×12.5	—	19
	2.2	10×12.5	—	26
		10×16	—	29
	3.3	10×16	—	38
		10×20	—	42
	4.7	10×16	—	49
		10×20	—	54
	10	10×20	—	122
		12.5×20	—	122
	22	12.5×25	—	170
	33	16×25.5	—	240
	47	16×31.5	—	400
	56	18×25.5	—	440
		16×31.5	—	440
	68	18×31.5	—	570
		16×36	—	570
	82	18×31.5	—	640
		18×36	—	640
		16×40	—	640
100	18×36	—	750	
	16×45	—	750	
120	18×40	—	820	
	16×50	—	820	
150	18×46	—	920	
	20×41	—	920	
	16×60	—	920	
180	22×41	—	1100	

U <sub>R</sub> (Surge Voltage) Code (V)	Rated Capacitance (μF)	Size ΦD×L (mm)	Max Imp 20°C, 100kHz (Ω)	Rated ripple current 105°C, 100kHz (mA <sub>RMS</sub> )
500 (550) 2H	1	10×12.5	—	21
	2.2	10×16	—	35
	3.3	10×20	—	48
	4.7	12.5×20	—	63
	10	12.5×25	—	120
	22	16×25.5	—	180
	33	16×31.5	—	240
	47	18×31.5	—	405
	56	16×40	—	450
		18×31.5	—	450
	68	18×36	—	560
		18×40	—	560
		16×45	—	560
	82	16×55	—	640
		18×40	—	640
	100	20×41	—	800
		18×46	—	800
		16×60	—	800
	120	22×45	—	840
	150	22×45	—	890

可根据客户要求定制产品 Customer products are available on request.